



# 40L Portable Fridge/Freezer

Model Number PRI40LP

## INSTRUCTION MANUAL

IM Version No: V2

### AFTER SALES SUPPORT

  1300 300 018  
AUS Hotline Costs

 [productsupport@cobr.com.au](mailto:productsupport@cobr.com.au)

MODEL: PRI40LP PRODUCT CODE:51578 03/2016



SGSEA/120444

# Contents

- 03 Welcome**
- 04 Warranty Details**
- 05 General Information & Safety Instructions**
- 07 Assembly and Parts**
- 08 Getting Started**
- 10 Operating your Fridge/Freezer - 12V DC**
- 12 Operating your Fridge/Freezer - 220-240V AC**
- 13 Temperature Control**
- 15 Using with Solar Panel or Generator**
- 16 Tips and Suggestions**
- 17 Maintenance & Service**
- 18 Specifications**
- 19 Troubleshooting**

# Welcome

Congratulations on choosing to buy a STIRLING® product.

All products brought to you by STIRLING® are manufactured to the highest standards of performance and safety and, as part of our philosophy of customer service and satisfaction, are backed by our comprehensive 2 Year Warranty. We hope you will enjoy using your purchase for many years to come.

---

## AFTER SALES SUPPORT

  1300 300 018  
AUS Hotline Costs

 [productsupport@cobr.com.au](mailto:productsupport@cobr.com.au)

MODEL: PRI40LP PRODUCT CODE:51578 03/2016



# STIRLING<sup>®</sup>

40L Portable Fridge/Freezer

## Warranty Details

---

The product is guaranteed to be free from defects in workmanship and parts for a period of 24 months from the date of purchase. Defects that occur within this warranty period, under normal use and care, will be repaired, replaced or refunded at our discretion. The benefits conferred by this warranty are in addition to all rights and remedies in respect of the product that the consumer has under the Competition and Consumer Act 2010 and similar state and territory laws.

Our goods come with guarantees that cannot be excluded under the Australian Consumer Law. You are entitled to a replacement or refund for a major failure and for compensation for any other reasonably foreseeable loss or damage. You are also entitled to have the goods repaired or replaced if the goods fail to be of acceptable quality and the failure does not amount to a major failure.

---

#### AFTER SALES SUPPORT

  1300 300 018  
AUS Hotline Costs

 [productsupport@cobr.com.au](mailto:productsupport@cobr.com.au)

MODEL: PRI40LP PRODUCT CODE:51578 03/2016

**2**

YEAR WARRANTY

# General Information & Safety Instructions

Read this manual thoroughly before first use, even if you are familiar with this type of product. The safety precautions enclosed herein reduce the risk of fire, electric shock and injury when correctly adhered to. Keep the manual in a safe place for future reference, along with the completed warranty card, purchase receipt and carton. If applicable, pass these instructions on to the next owner of the appliance.

Always follow basic safety precautions and accident prevention measures when using an electrical appliance, including the following:

## NOTE:



**Intended use:** This is a portable product, designed for private use. It is exclusively designed for use in caravans and other vehicles including mobile homes, campervans, rail cars and boats. It is designed to cool food and beverages. It is designed to be setup in dry, weather protected areas. It is not intended for stationary extended use as e.g. a 2nd fridge at home.

## Electrical safety and cord handling

- **Correct voltage:** Make sure your local outlet voltage and circuit frequency corresponds to the voltage indicated on the appliance rating label.
- **Safe connection:** Insert the plug firmly into a properly earthed AC mains or 12V DC socket. Do not alter the plug.
- **Protect from moisture:** To protect against electric shock, do not immerse the cable, plug or the appliance itself in water or other liquid. Ensure your hands are dry before handling the plug or switching on the appliance. Do not use it on wet surfaces.
- **Protect the power cable.** Do not kink or damage the power cable. Do not wrap it around the appliance. Do not pull the unit by the cable. Do not use the cable as a handle, close a door on the cable or pull the cable around sharp edges or corners. Keep the cable away from heated surfaces.
- **Never touch uninsulated cables with bare hands.** This applies especially to handling AC cables.
- **For installations in boats:** If the device is AC mains operated, it is important that the system is protected by a fuse and an earth leakage protection device.
- Always ensure that the correct voltage is applied to the Fridge/Freezer. The voltage is stated on the Fridge/Freezer's data plate.

---

### AFTER SALES SUPPORT

  1300 300 018  
AUS Hotline Costs

 [productsupport@cobr.com.au](mailto:productsupport@cobr.com.au)

MODEL: PRI40LP PRODUCT CODE:51578 03/2016

# General Information & Safety Instructions (Cont.)

**NOTE:**

Installation of AC in boats should be carried out by a qualified electrician.

- **Never** obstruct vents to the Fridge/Freezer's compressor.
- Defrost the Fridge/Freezer on a regular basis.
- **Never** use hard or sharp implements to remove ice from the cooling compartment.
- **Never** use abrasive or solvent based materials when cleaning the cooling compartment.
- **Do not** use any electrical appliances inside the cooling compartment.

**NOTE:**

**1:** This appliance is not intended for use by persons (including children) with reduced physical, sensory or mental capabilities, or lack of experience and knowledge, unless they have been given supervision or instruction concerning use of the appliance by a person responsible for their safety. Children should be supervised to ensure that they do not play with the appliance;

**2:** Do not expose to rain

# Assembly and Parts

## The Assembled Fridge/Freezer



### NOTE:

Your fridge/freezer comes assembled excluding the Carry Handles which need to be assembled. Please refer to Page 9 of the Handle Assembly section for a list of included parts and assembly instructions.



- |                          |                                   |
|--------------------------|-----------------------------------|
| 1 Lid Handle             | 8 Internal Light                  |
| 2 Control Panel          | 9 Air Flow Vent                   |
| 3 Carry Handles          | 10 Transit Bag                    |
| 4 Power Input Panel      | 11 Instruction Manual (not shown) |
| 5 12V/24V DC Power Cable | 12 Quick Start Guide (not shown)  |
| 6 240V AC Power Cable    | 13 Warranty Card (not shown)      |
| 7 Inner Basket           |                                   |



### AFTER SALES SUPPORT

 1300 300 018  
AUS Hotline Costs

 [productsupport@cobr.com.au](mailto:productsupport@cobr.com.au)

MODEL: PRI40LP PRODUCT CODE:51578 03/2016

# Getting Started

## Installation

After unpacking the Fridge/Freezer check that no parts are missing. Place the unit in a dry place which is protected against splashing water. Do not place directly adjacent to sources of heat such as heating, gas ovens, hot-water, pipes or under the blazing sun.

It is important that your appliance is installed and operated in accordance with these instructions to guarantee its performance, efficiency and operation.

## Application and operative cooling range

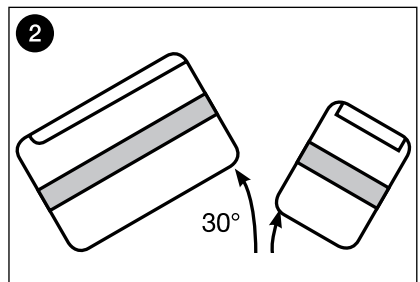
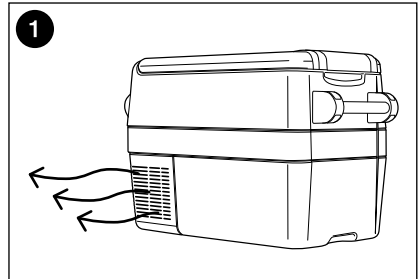
The cooling compartment has varying temperature zones. The values indicated on the digital display are related to the middle of the cabinet. Your Fridge/Freezer is designed to either refrigerate or freeze food. The Fridge/Freezer may be used for outdoor use such as for camping purposes. If you wish to refrigerate medicines, first check to ensure the Fridge/Freezer's cooling capacity meets the demands of the respective medicines. The Fridge/Freezer is designed to operate in ambient temperatures between  $-10^{\circ}$  and  $+55^{\circ}$  C in a maximum air humidity of 90%. The Fridge/Freezer can operate continuously at an angle of  $30^{\circ}$  maximum.

### NOTE:

The normal operation of the appliance requires heat to be radiated away from the condenser located in rear of the cabinet. Adequate airflow is required around the compressor at all times. (Fig. 1).

The cooling system has been designed to operate correctly when the appliance is positioned on angles up to 30 degrees. It is recommended that the time the unit is exposed to angles over 30 degrees is limited to a maximum of four (4) hours continuous operation. (Fig. 2).

Your appliance can be used as either a freezer or a refrigerator; **it cannot be used as both simultaneously.**

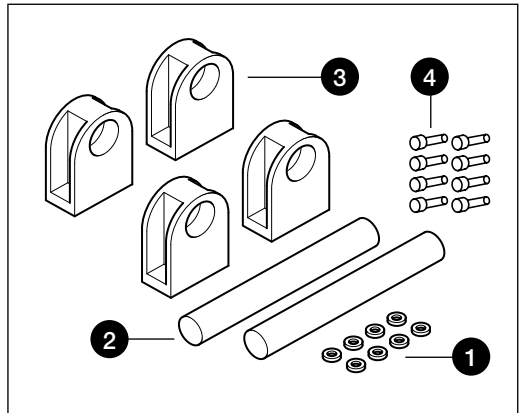




# Getting Started (Cont.)

## Included Parts and Tools

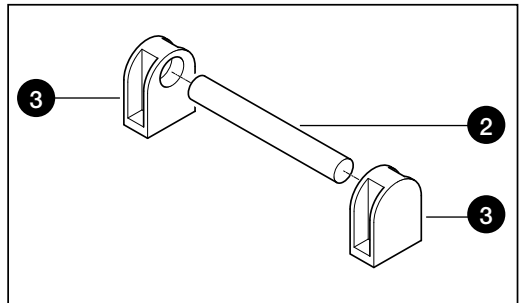
No.	ITEM	PIECES
1	Washer	8
2	Round tubular component	2
3	Stand	4
4	Screws	8
5	Allen Key	1
Handle Assembly Kit (see below)		2
Instruction Manual (not shown)		1
Quick Start Guide (not shown)		1
Warranty Card (not shown)		1
Transit Bag: 600D Padded (see page 7)		1



## Handle Assembly

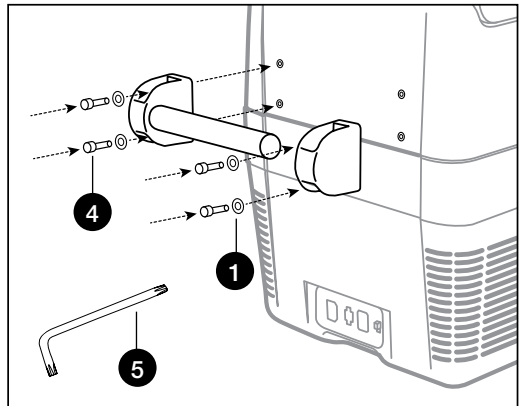
### Kit mounting

- Mount the stands (3) on the round tubular component (2)




### Handle Installation

- Assemble the handles to the cabinet using the screws (4), washers (1) and Allen key (5) provided.
- Attach one bracket, insert the handle tube, and then attach the second bracket.



**NOTE:** You are supplied with two handle kits

## AFTER SALES SUPPORT

 1300 300 018  
AUS Hotline Costs

 [productsupport@cobr.com.au](mailto:productsupport@cobr.com.au)

MODEL: PRI40LP PRODUCT CODE:51578 03/2016

# Operating your Fridge/Freezer 12V DC

## Power Requirements

The Fridge/Freezer is designed to operate on AC or DC voltage.

- AC input 220-240V AC at 50Hz (e.g. electrical power point)
- DC input 12V or 24V DC (e.g. car cigarette lighter or car battery)

## General

- If the Fridge/Freeze is operating when the vehicle ignition is switched OFF, the Fridge/Freezer will switch OFF automatically when the power source voltage falls below the Battery Monitor cut-out setting.
- The Fridge/Freezer will automatically switch back ON when the vehicle is re-started and the power source voltage reaches the Battery Monitor cut-in setting.

## DC Connection



DC Power Cable

- Plug the 12V/24V DC power cable into the DC POWER socket (as circled above) at the rear of the Fridge/Freezer and then connect to the vehicle cigarette lighter socket or suitable 12V or 24V DC power source.
- For optimum performance and efficiency, it is important that the Fridge/Freezer has a reliable DC power source available. Direct connection to the battery is recommended and reduces the risk of voltage dropping to the appliance.
- Use only the 1.5m DC power cable supplied with the Fridge/Freezer. If you require an extension cable, please see Page 10 for further information.

### NOTE:

The Fridge/Freezer is equipped with an electronic control system that will prevent polarity reversal. In the event that the battery connection is reversed the unit will not start or operate. The power input socket is fitted with a 15A blade fuse for protection.

**NOTE:** It is important that the correct cable size and gauge is used for the installation of the DC supply as over distance the voltage can decrease if the incorrect cable size and gauge cable is being used.

# Operating your Fridge/Freezer 12V DC (Cont.)

## **IMPORTANT:**

If a DC extension cable is required we recommended use of a 6mm dia. (AWG11) 4.58mm<sup>2</sup> Twin Sheath Two Core cable with direct connection to the positive and negative battery terminals with 15A inline fuse protection.

- Always consult a qualified automotive electrician when using a DC extension cable.
- The Fridge/Freezer is equipped with a multi-level Battery Monitor that protects your vehicle battery against excessive discharging when the Fridge/Freezer is connected to 12V or 24V DC power source.

## **Power Requirements**

## **IMPORTANT:**

When using the Fridge/Freezer with 12V DC power supply, we recommended setting the Battery Monitor switch to LOW.

If your Fridge/Freezer is cutting out prematurely, it could be due to:



1. The low voltage protection being set too high on the Battery Monitor
2. DC power cable and/or connections are not suitable to carry the required current. Check the power cable and all connections and adjust the Battery Monitor switch at the rear of the unit.

**NOTE:** A battery charger may only be connected to the battery when the Fridge/Freezer has been disconnected from the DC power source.

- Over-voltage may cause damage to the electronics of the Fridge/Freezer.
- Your Fridge/Freezer is equipped with reverse polarity protection. It protects your Fridge/Freezer against reverse battery connection and short circuit.
- As a protection for your battery, the Fridge/Freezer switches OFF automatically if the power source voltage is insufficient.

---

### **AFTER SALES SUPPORT**

  1300 300 018  
AUS Hotline Costs

 [productsupport@cobr.com.au](mailto:productsupport@cobr.com.au)

MODEL: PRI40LP PRODUCT CODE:51578 03/2016

# Operating your Fridge/Freezer

## 220-240V AC

### AC Connection



AC Power Cable

- Plug the 220-240V AC power cable into the AC POWER socket (as circled above) at the rear of the Fridge/Freezer and then connect to a suitable 220-240V AC power source.
- Select the on-off power switch ☉ button to turn the Fridge/Freezer ON.
- The display will automatically show the current internal cabinet temperature.

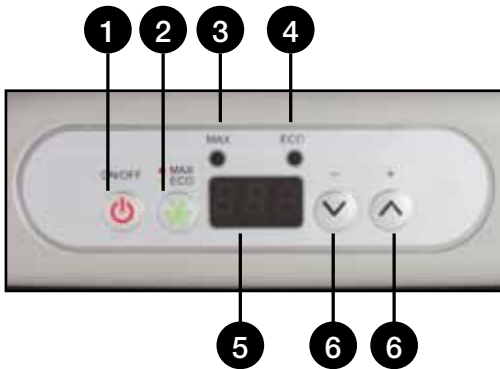
### CAUTION

Do not touch cables, plugs or switches with wet hands or when your feet are in contact with water! If you operate your Fridge/Freezer on board a boat by means of a shore connection to a 220-240V AC power source, the power connection must include an earth leakage RCD residual current device.

- Consult a qualified electrician for these requirements.
- The Fridge/Freezer is equipped with a multi-voltage internal power supply with priority circuit for connecting to an AC voltage power source of 100-240V.
- The power supply automatically switches the Fridge/Freezer to mains operation when connected to 220-240V mains power, even if the 12V/24V DC power cable is connected.
- The power input socket is fitted with a 15A blade fuse for protection.

# Temperature Control


- The Temperature Controller provides the ability to set the desired temperature level and display the current cabinet temperature. The electronic controller has been programmed to maintain an average of the set temperature.
- The compressor will start up when the internal cabinet temperature increases 0.5 to 1.5 degrees above the set temperature and will run until the temperature is 0.5 to 1.5 degrees below the set temperature.
- When your Fridge/Freezer is first connected to the AC or DC power input, press the power switch ON and the digital read out will show the current cabinet temperature. To set your Fridge/Freezer to the desired temperature, follow these steps:



- 1 Power Switch
- 2 Running Mode Switch
- 3 Max Mode Indicator
- 4 Eco Mode Indicator
- 5 Temperature Display
- 6 Temperature Control

- Press the  $\uparrow$  and  $\downarrow$  TEMPERATURE buttons,  $\downarrow$  will reduce the temperature and  $\uparrow$  will increase the temperature.
- Once the display shows your desired temperature, release the button. The desired temperature will flash for 5 seconds to confirm your setting.
- The display will then return to show the current internal cabinet temperature.
- Pressing both  $\downarrow$  and  $\uparrow$  at the same time will switch the temperature display from °C to °F.

## AFTER SALES SUPPORT

 1300 300 018  
AUS Hotline Costs

 [productsupport@cobr.com.au](mailto:productsupport@cobr.com.au)

MODEL: PRI40LP PRODUCT CODE:51578 03/2016

# Temperature Control (Cont.)

## Eco/Max Modes

- Pressing the ECO-MAX button will change the compressor speed and operating efficiency of the Fridge/Freezer between the ECO and MAX operating modes. The mode indicator will illuminate according to which mode has been selected.

### ECO: (GREEN indicator)

- This mode reduces power consumption and is best used once the fridge has cooled down to operating temperature

### MAX: (RED indicator)

- Best used to cool down the internal temperature of the fridge rapidly, however this mode will consume more power.

**NOTE:** If power is lost, the Fridge/Freezer will automatically re-start when power is restored.

## Energy saving tips

- Choose a well-ventilated location that is protected from direct sunlight and allows air to circulate around the cabinet. Allow hot food to cool down first before you place it into the cabinet.
- Do not leave lid open or open lid more often than necessary. If ice forms on the internal cabinet walls or lid, defrost the Fridge/Freezer. Select the desired cabinet temperature in relation to the intended use. Avoid setting low temperatures if not required.

# Using with Solar Panel or Generator

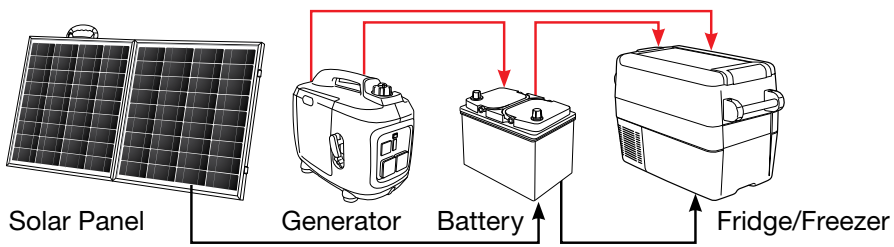
## Using with Solar Panels

- The power consumption and efficiency of your Fridge/Freezer makes it ideal to be used in conjunction with solar panels to provide recharging of the DC power source. Solar panels will provide charge into the battery during the daylight hours even while the appliance is operating.
- As the output from solar panels changes depending on the level of sunlight and intensity, your Fridge/Freezer cannot be connected directly to the solar panels. The appliance must be connected to a suitable DC battery and then the solar panels connected to the battery.
- We recommend the use of the quality portable solar panel kits from 60 to 120 watts for use with your Fridge/Freezer.


**DO NOT** connect the Fridge/Freezer directly to the solar panel as it will not work. Connection must be via the battery.

## Using Portable Generators

- It is important that the correct generator size is used with your Fridge/Freezer. An incorrect generator or voltage output may result in reduced performance or damage to your Fridge/Freezer which may void your appliance warranty.
- If connecting directly to an AC generator, ensure that only a digital or inverter type generator is used. These provide a more reliable and constant 240V AC output power source and are specifically designed for use with electronic and other power sensitive appliances.
- Most generators are fitted with a DC power output socket - **DO NOT** connect your fridge directly to the DC power output of the generator as this will result in damage to your Fridge/Freezer and void warranty. Connection must be via the battery.
- When charging the battery using a digital or inverter type generator, we recommend only using a 'smart battery charger' that is fully automatic, spark proof and reverse polarity protected. The battery charger is connected directly to the AC power output of the generator.



### AFTER SALES SUPPORT

 1300 300 018  
AUS Hotline Costs

 [productsupport@cobr.com.au](mailto:productsupport@cobr.com.au)

MODEL: PRI40LP PRODUCT CODE:51578 03/2016

# Tips and Suggestions

- Fresh and frozen foods should not be stored right beside each other in the cabinet. Doing so may cause a fresh food to freeze and/or spoil.
- When the appliance is being set at 0° or lower temperatures, do not store glass bottles or liquids such as beer, milk, juices or soft drinks in the unit as these may freeze and shatter.
- Items such as fruit and vegetables should be stored closer to the top of the cabinet as this area is normally slightly warmer. This will reduce the risk of spoiling and ensures that damage is not caused by being crushed by heavier items.
- To improve the efficiency of your Fridge/Freezer it is better to have the cabinet as full as possible at all times. A full cabinet will provide lower power consumption over 24 hours than a half empty one. When the cabinet is full there is little air space between the goods so the cold air is trapped, but when there is lots of air the coldness cannot be captured and held. On a trip it is a good idea to replace finished products with bottles of water or similar. This will fill the empty spaces and allow the coldness to remain within the cabinet.
- Frequent door opening will allow warm air to enter the cabinet. Keep the number of times you open the door to a minimum where possible.
- When located in the rear of a car or trailer, it is recommended that the appliance be kept away from direct sunlight to reduce the risk of increased heat. It should also be provided with suitable ventilation to guarantee efficient power consumption and performance. You must remember that when a vehicle is parked in the sun that on a day where the ambient temperature is +30°C, the interior of the vehicle can reach +55°C.





# Maintenance & Service

- Your Fridge/Freezer will be delivered cleaned from the factory – you nevertheless should clean prior to initial use. Take a cloth which has been slightly moistened with lukewarm water. Pay attention that no water drops into the seals and possibly damages the electronics. Dry off the Fridge/Freezer with a cloth after cleaning. Clean your Fridge/Freezer periodically and as soon as it is dirty.

## Attention:

- **DO NOT** use solvents or agents with sand or acid parts for cleaning your Fridge/Freezer.
- **DO NOT** use brushes, graters or hard sharp tools to clean your Fridge/Freezer.
- Before cleaning, the power cable should be disconnected and the Fridge/Freezer switched OFF.
- Clean the Fridge/Freezer inside and out with a damp cloth. For stubborn dirt, use some sodium bicarbonate dissolved in lukewarm water.
- When storing your Fridge/Freezer for a long period of time, **DO NOT** fully close the lid. This will prevent mould and odours.
- **For additional queries or service and maintenance please contact our After Sales Support 1300 300 018. They will provide you with expert advice on further information you may require.**

# Disposal

Your Fridge/Freezer, when it comes to the end of its working life, should be disposed of responsibly to ensure that it does not contaminate the environment. It would be advisable to contact your local council for advice on the disposal of this unit.

# Specifications

<b>Product Code</b>	<b>51578</b>
Gross Capacity	40L
Net Weight	16kg
Product Dimensions - without handle	580L x 350W x 430Hmm
Product Dimensions - with handle	714L x 350W x 430Hmm
Connections	AC 220V - 240V : DC 12V/24V
Current Draw (average)	3.75A/12V : 1.9A/24V
Cooling Range	-18°C to +4°C
Power Input	55W
Insulation	PU Foam
Compressor	SECOP BD35F
Thermostat	Electronic control
Material	PP (Polypropylene) cabinet HDPE (High Density Polyethylene) lid
Refrigerant	R134a ; 40g
Tested to Safety Standards	AS/NZS 60335.1 and AS/NZS 60335.2.24 EMC : EN 55014-1 + A1, A2

# Troubleshooting

## **If the Fridge/Freezer will not turn on:**

- Check the power source (voltage may be too low)
- Check the power cable and all connections from the battery to Fridge/Freezer
- Check the fuse at the Power Input Panel
- Check the unit is switched ON

## **If contents of the fridge are freezing:**

- The temperature has been set too low, therefore increase the temperature setting.

## **Poor refrigeration performance:**

- Temperature of the food put inside the fridge is too high
- Lid is not closed properly
- Lid seal is damaged
- There is poor ventilation around the fridge
- Ambient temperature is very high
- Temperature is not set correctly

## **There is a “water flow” type of noise from inside the unit:**

- This is normal, caused by the flow of refrigerant

## **There is a noise from the unit:**



- Unit is not on a flat level surface
- Check for vibrations in surrounding objects

## **Fridge/Freezer does not work and display does not illuminate**

- There is no voltage present in the 12V/24V cigarette lighter socket in your vehicle. The ignition must be switched ON in most vehicles to apply current to the cigarette lighter socket.
- No voltage present in the AC voltage socket. Try using another plug socket.
- The Fridge/Freezer fuse is defective. Replace the fuse.
- The integrated mains adaptor is defective. This can only be repaired by an authorised repair centre. Contact After Sales Support 1300 300 018.

---

### **AFTER SALES SUPPORT**

  1300 300 018  
AUS Hotline Costs

 [productsupport@cobr.com.au](mailto:productsupport@cobr.com.au)

MODEL: PRI40LP PRODUCT CODE:51578 03/2016

# Troubleshooting (Cont.)

## **Fridge/Freezer does not work and display does not illuminate when operating from the 12V/24V cigarette lighter socket with ignition switched ON.**



- The cigarette lighter socket may be dirty resulting in a poor electrical contact.
- The cigarette lighter socket must be cleaned or the plug has not been assembled correctly.

## **The display shows an error message (E1) and the Fridge/Freezer does not cool**

- Connected to DC power source, the Fridge/Freezer has switched off. This may be due to low voltage. Check Battery Monitor setting is on LOW. Re-start vehicle to increase battery voltage level. Test and charge battery.
- The Fridge/Freezer has switched off due to an internal fault. Contact After Sales Support 1300 300 018.

---

### **AFTER SALES SUPPORT**

  1300 300 018  
AUS Hotline Costs

 [productsupport@cobr.com.au](mailto:productsupport@cobr.com.au)  
MODEL: PRI40LP PRODUCT CODE:51578 03/2016